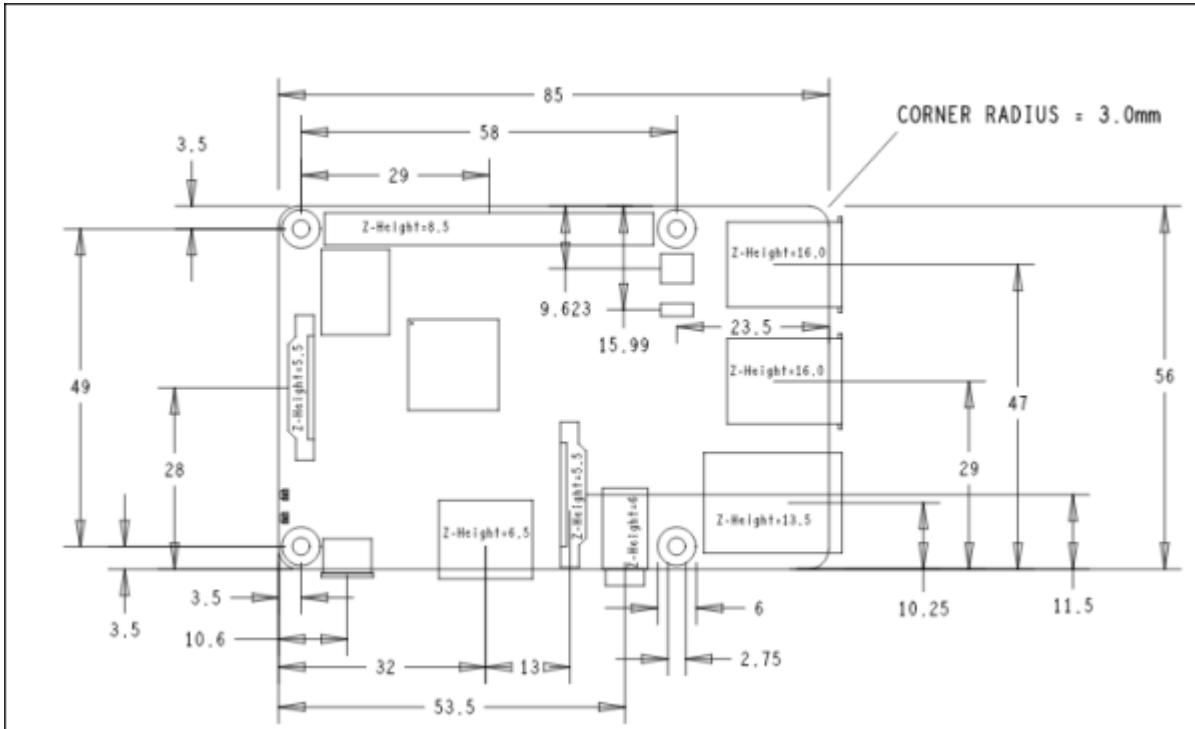


Gateway RAK831

Shield para conexión a Raspberry y GPS

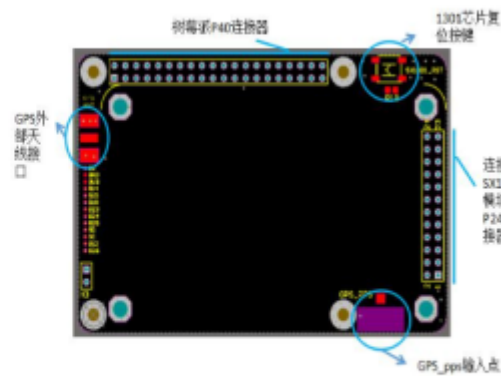
Medidas de raspberry pi 3 b+

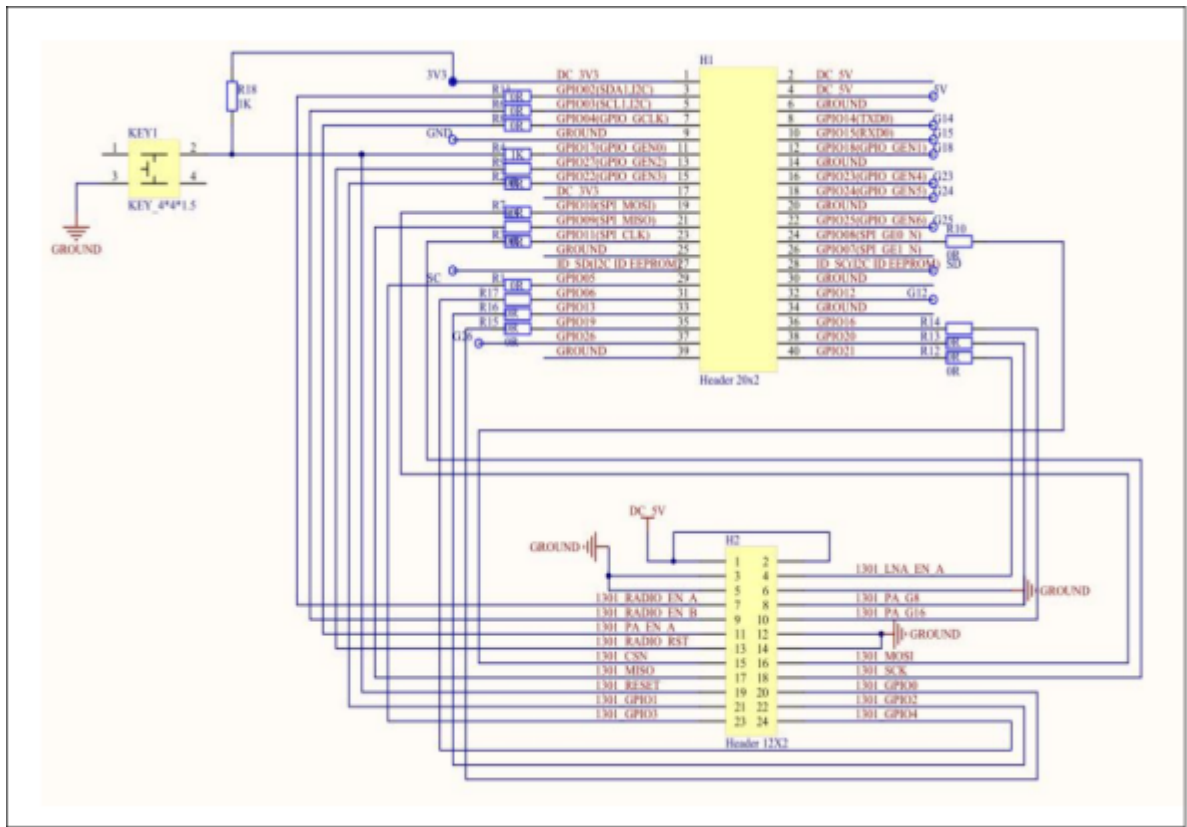


1、SX1301 模块管脚和树莓派管脚对照表

树莓派管脚列表		树莓派 ADPin 引脚对照表		SX1301 管脚列表	
引脚名称	BOARD PIN	引脚名称	引脚名称	引脚名称	引脚名称
3.3V	1	3.3V	P1/P2	DC_5V	
GPIO 4	2	GPIO 1	GPIO 1		
GPIO 17	3	GPIO 2	GPIO 2		
GPIO 7	4	GPIO 3	GPIO 3		
GPIO 27	5	GPIO 4	GPIO 4		
GPIO 14	6	GPIO 5	GPIO 5		
GPIO 15	7	GPIO 6	GPIO 6		
GPIO 23	8	GPIO 7	GPIO 7		
GPIO 22	9	GPIO 8	GPIO 8		
GPIO 25	10	GPIO 9	GPIO 9		
GPIO 24	11	GPIO 10	GPIO 10		
GPIO 10	12	GPIO 11	GPIO 11		
GPIO 16	13	GPIO 12	GPIO 12		
GPIO 18	14	GPIO 13	GPIO 13		
GPIO 21	15	GPIO 14	GPIO 14		
GPIO 9	16	GPIO 15	GPIO 15		
GPIO 26	17	GPIO 16	GPIO 16		
GPIO 6	18	GPIO 17	GPIO 17		
GPIO 13	19	GPIO 18	GPIO 18		
GPIO 20	20	GPIO 19	GPIO 19		
GPIO 4	21	GPIO 20	GPIO 20		
GPIO 14	22	GPIO 21	GPIO 21		
GPIO 15	23	GPIO 22	GPIO 22		
GPIO 23	24	GPIO 23	GPIO 23		
GPIO 22	25	GPIO 24	GPIO 24		
GPIO 25	26	GPIO 25	GPIO 25		
GPIO 9	27	GPIO 26	GPIO 26		
GPIO 26	28	GPIO 27	GPIO 27		
GPIO 10	29	GPIO 28	GPIO 28		
GPIO 16	30	GPIO 29	GPIO 29		
GPIO 18	31	GPIO 30	GPIO 30		
GPIO 21	32	GPIO 31	GPIO 31		
GPIO 9	33	GPIO 32	GPIO 32		
GPIO 26	34	GPIO 33	GPIO 33		
GPIO 6	35	GPIO 34	GPIO 34		
GPIO 13	36	GPIO 35	GPIO 35		
GPIO 20	37	GPIO 36	GPIO 36		
GPIO 4	38	GPIO 37	GPIO 37		
GPIO 14	39	GPIO 38	GPIO 38		
GPIO 15	40	GPIO 39	GPIO 39		

2、管脚对应位置





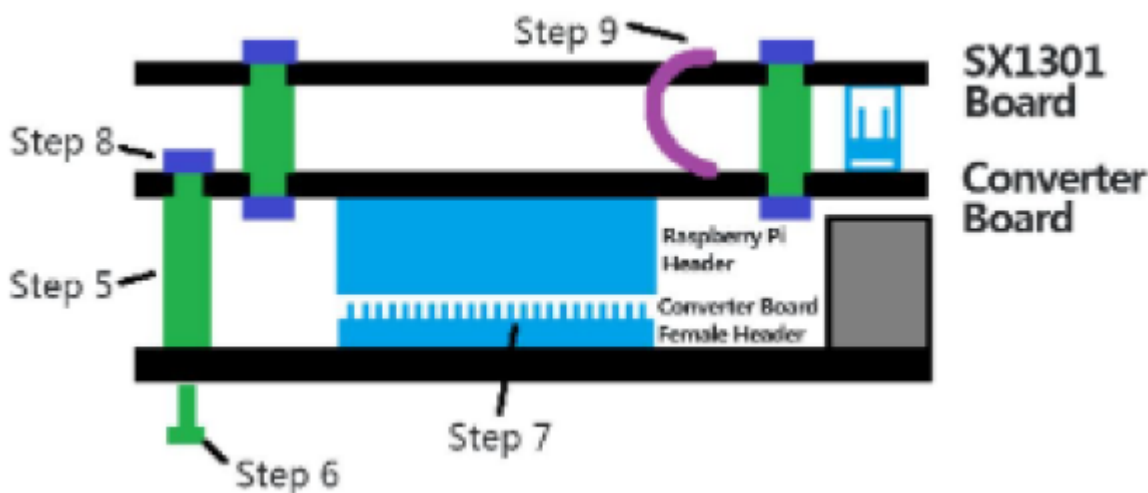


Pin PPS Quectel I80



Converter Board (Raspberry)

With Max-7Q GPS Module and GPS Antenna



- <https://hackaday.io/project/20482-designing-a-raspberry-pi-hat>

RAK 831 Pin	Description on silk screen	RPI physical pin
1	+5V	2
3	GND	6
19	RST (Resent pin)	22
18	SCK (SPI Clock)	23
17	MISO	21
16	MOSI	19
15	CSN (Chip Select)	24

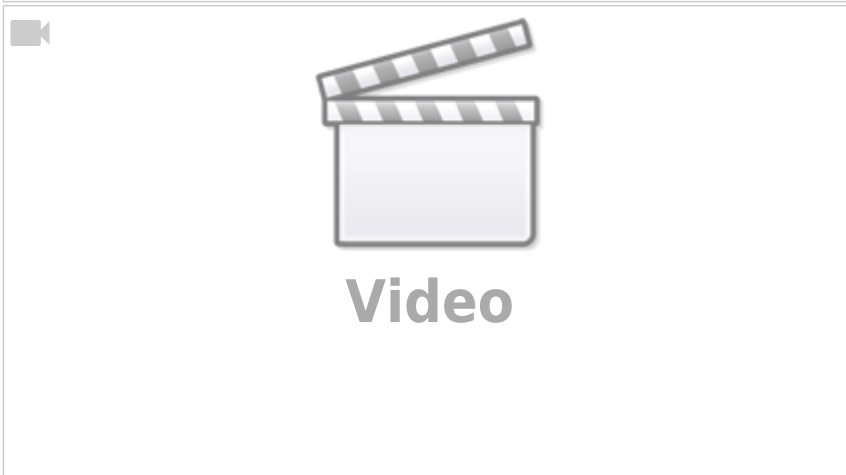
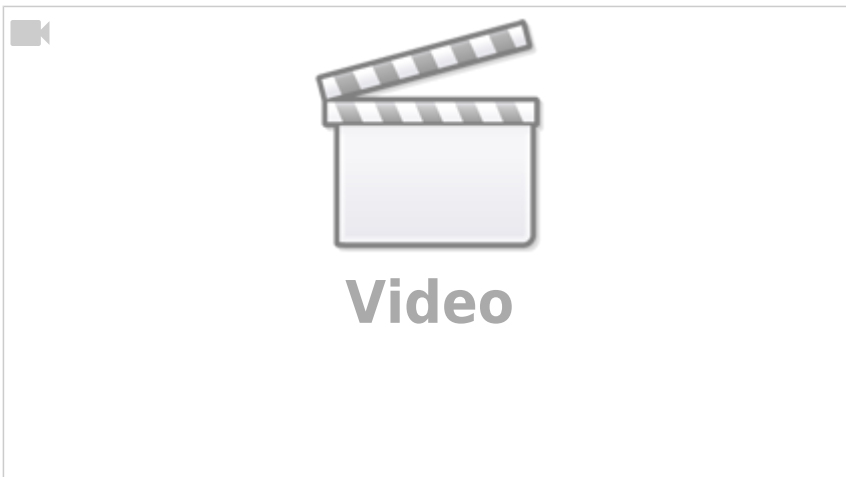
Conexión a la raspberry pi

rpi v3 to rak 831 pin connection

- <http://docs.rakwireless.com/cn/LoRa/RAK831-LoRa-Gateway/B应用笔记/转接板接线说明.pdf>
- <https://github.com/IRNAS/RPi-HAT-RAK831-PoE>
- **Antena** → <https://github.com/IRNAS/ttn-irnas-gw>

Referentes

- <https://github.com/RAKWireless/RAK2245-RAK831-LoRaGateway-RPi-Raspbian-OS>
- <https://www.thethingsnetwork.org/forum/t/the-hard-rak831-cafe-part-1/8464>
- <https://github.com/Edzelf/RAK831-LoRa-gateway/blob/master/LoRa%20gateway%20with%20Orange%20Pi%20and%20RAK831.pdf>
- https://github.com/xesscorp/RPi_Hat_Template
- http://docs.rakwireless.com/en/LoRa/RAK831-LoRa-Gateway/Hardware-Specification/Raspberry%20Pi%20Switchboard%20Schematic_20171218.pdf
- https://www.quectel.com/UploadImage/Downlad/L80_Hardware_Design_V1.1.pdf
- <http://mtnstormdaq.com/blog/2012/10/gps-pps-use-as-a-time-reference/>
- <http://docs.rakwireless.com/en/LoRa/RAK831-LoRa-Gateway/Application-Notes/Interface-Panel-Installation-Instructions.pdf>
- <https://www.rakwireless.com/en/download/IoT-Solution-Kit/LoRaWAN%20Development%20Kit>



From:
<https://wiki.unloquer.org/> -

Permanent link:
https://wiki.unloquer.org/personas/brolin/proyectos/redes_ipwa/gateways/rak831

Last update: **2019/06/16 19:44**

