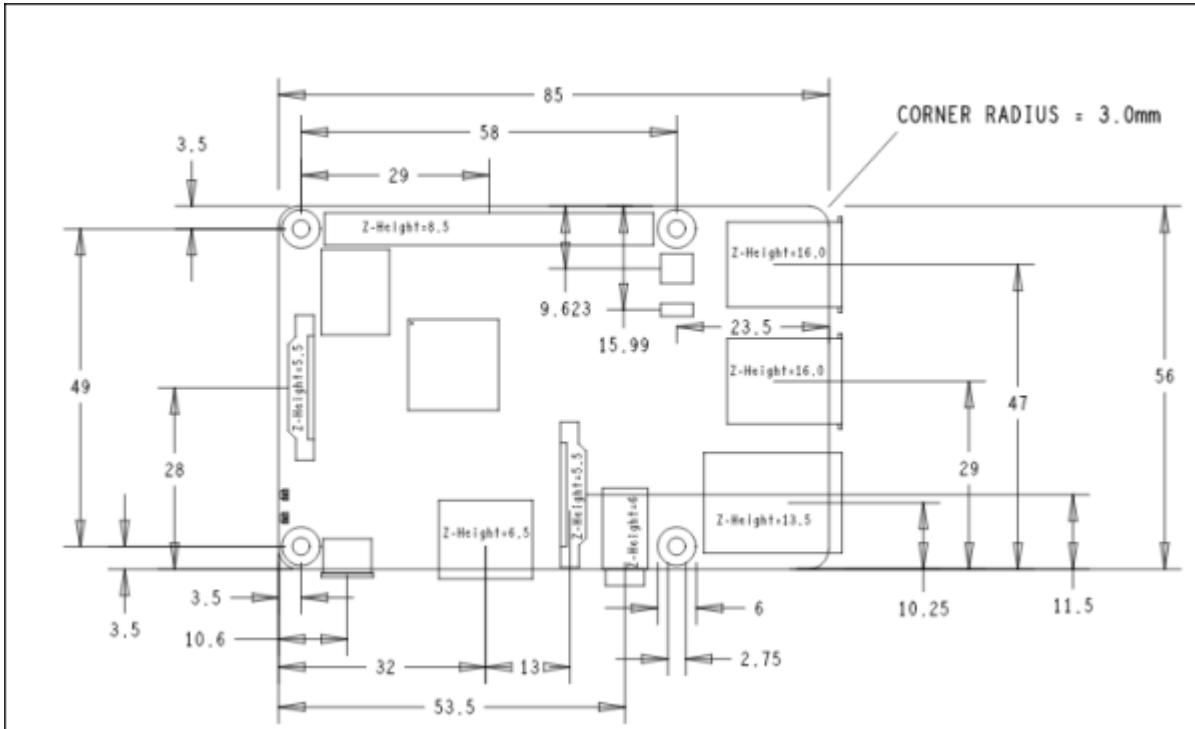


Gateway RAK831

Shield para conexión a Raspberry y GPS

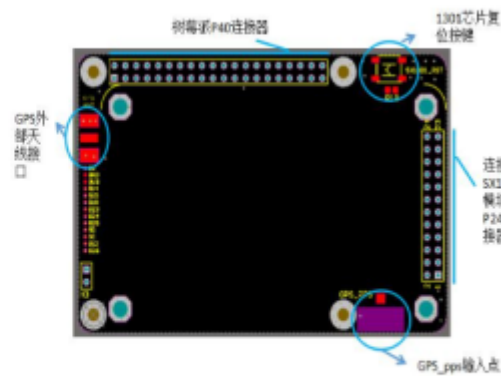
Medidas de raspberry pi 3 b+

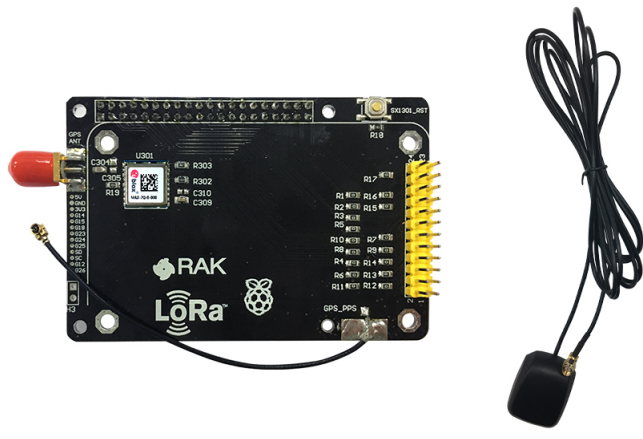
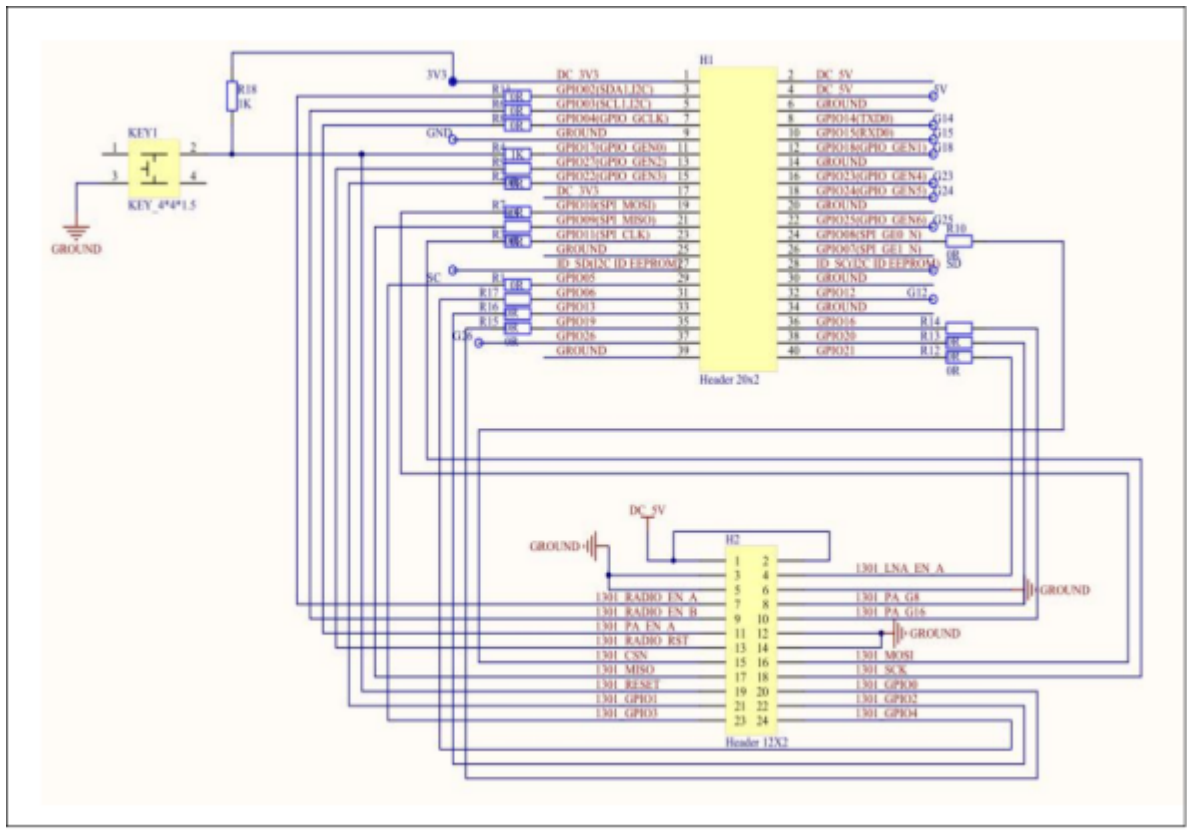


1、SX1301 模块管脚和树莓派管脚对照表

树莓派管脚列表		树莓派 ADPin 引脚对照表		SX1301 管脚列表	
引脚名称	BOARD PIN	引脚名称	引脚名称	引脚名称	引脚名称
	3.3V	1	2	3V	DC_5V
SX1301 管脚列表	GPIO 1	3	4	5V	
	GPIO 2	5	6	GPIO	GPIO1
	GPIO 3	7	8	TXD	
	GPIO 4	9	10	RXD	
	GPIO 5	11	12	GPIO	GPIO1
	GPIO 6	13	14	GPIO	GPIO1
	GPIO 7	15	16	GPIO	GPIO1
	GPIO 8	17	18	GPIO	GPIO1
	GPIO 9	19	20	GPIO	GPIO1
	GPIO 10	21	22	GPIO	GPIO1
	GPIO 11	23	24	GPIO	GPIO1
	GPIO 12	25	26	GPIO	GPIO1
	GPIO 13	27	28	GPIO	GPIO1
	GPIO 14	29	30	GPIO	GPIO1
	GPIO 15	31	32	GPIO	GPIO1
	GPIO 16	33	34	GPIO	GPIO1
	GPIO 17	35	36	GPIO	GPIO1
	GPIO 18	37	38	GPIO	GPIO1
	GPIO 19	39	40	GPIO	GPIO1

2、管脚对应位置





Converter Board (Raspberry)

With Max-7Q GPS Module and GPS Antenna

RAK 831 Pin	Description on silk screen	RPI physical pin
1	+5V	2
3	GND	6
19	RST (Resent pin)	22
18	SCK (SPI Clock)	23
17	MISO	21
16	MOSI	19
15	CSN (Chip Select)	24

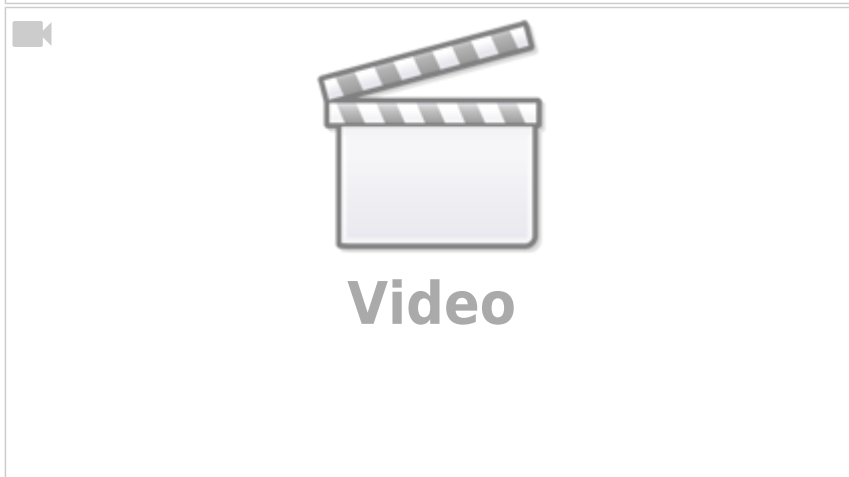
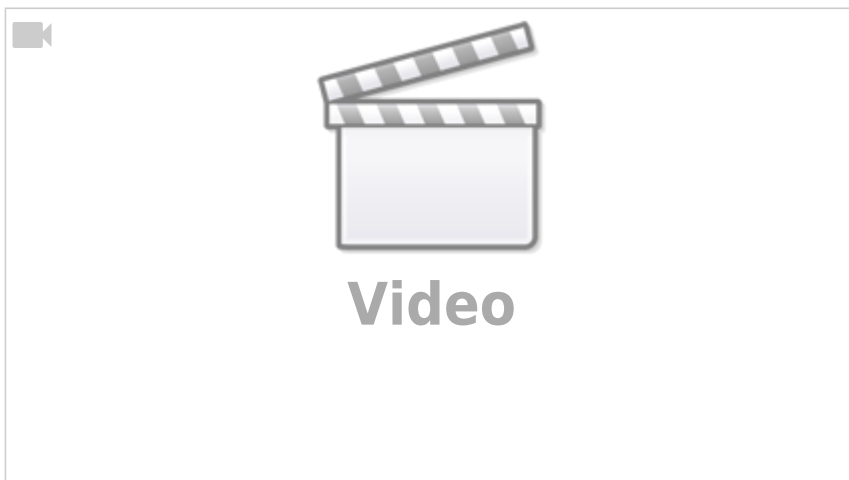
rpi v3 to rak 831 pin connection

Conexión a la raspberry pi

- <http://docs.rakwireless.com/cn/LoRa/RAK831-LoRa-Gateway/B应用笔记/转接板接线说明.pdf>
- <https://github.com/IRNAS/RPi-HAT-RAK831-PoE>
- **Antena** → <https://github.com/IRNAS/ttn-irnas-gw>

Referentes

- <https://github.com/RAKWireless/RAK2245-RAK831-LoRaGateway-RPi-Raspbian-OS>
- <https://www.thethingsnetwork.org/forum/t/the-hard-rak831-cafe-part-1/8464>
- <https://github.com/Edzelf/RAK831-LoRa-gateway/blob/master/LoRa%20gateway%20with%20Orange%20Pi%20and%20RAK831.pdf>



From:
<https://wiki.unloquer.org/> -

Permanent link:
https://wiki.unloquer.org/personas/brolin/proyectos/redes_lpwa/gateways/rak831?rev=1557872659

Last update: **2019/05/14 22:24**

