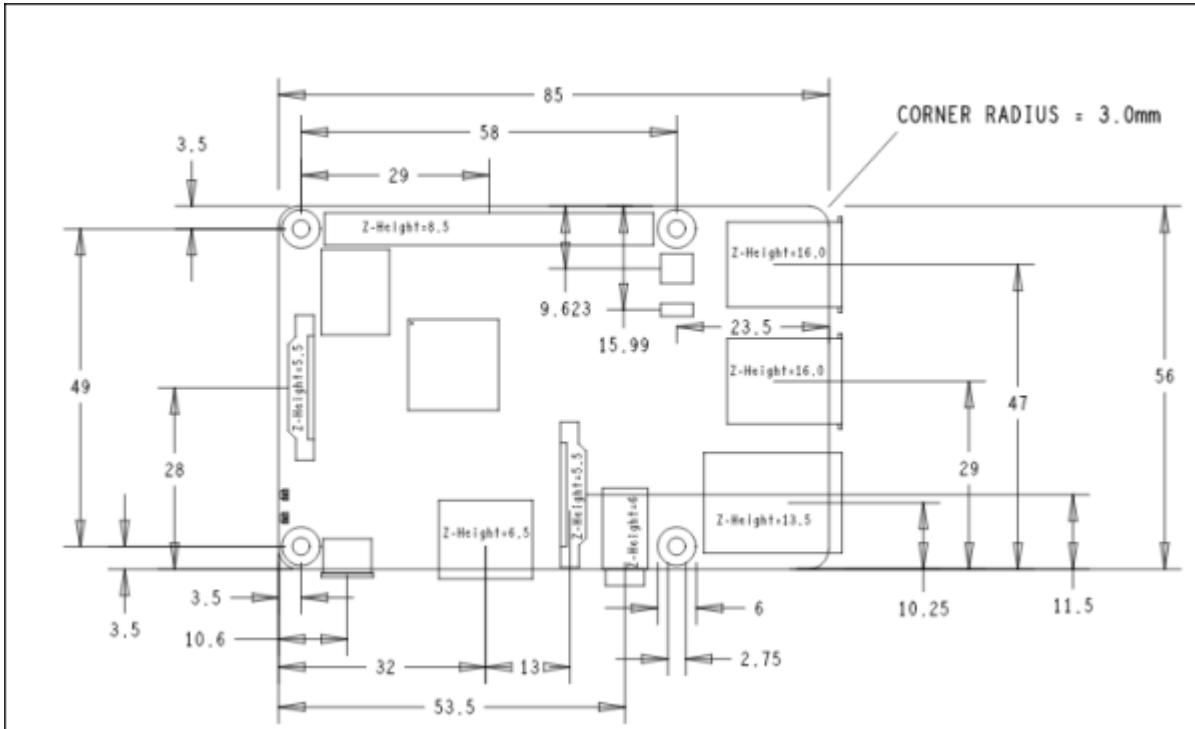


# Gateway RAK831

## Shield para conexión a Raspberry y GPS

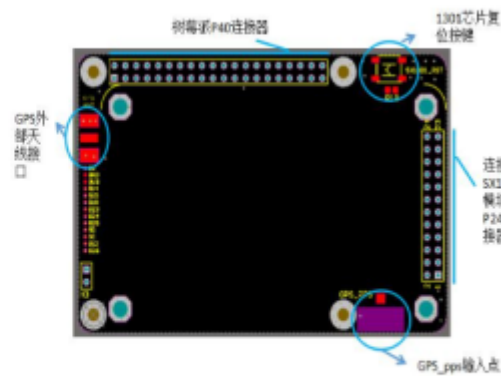
### Medidas de raspberry pi 3 b+

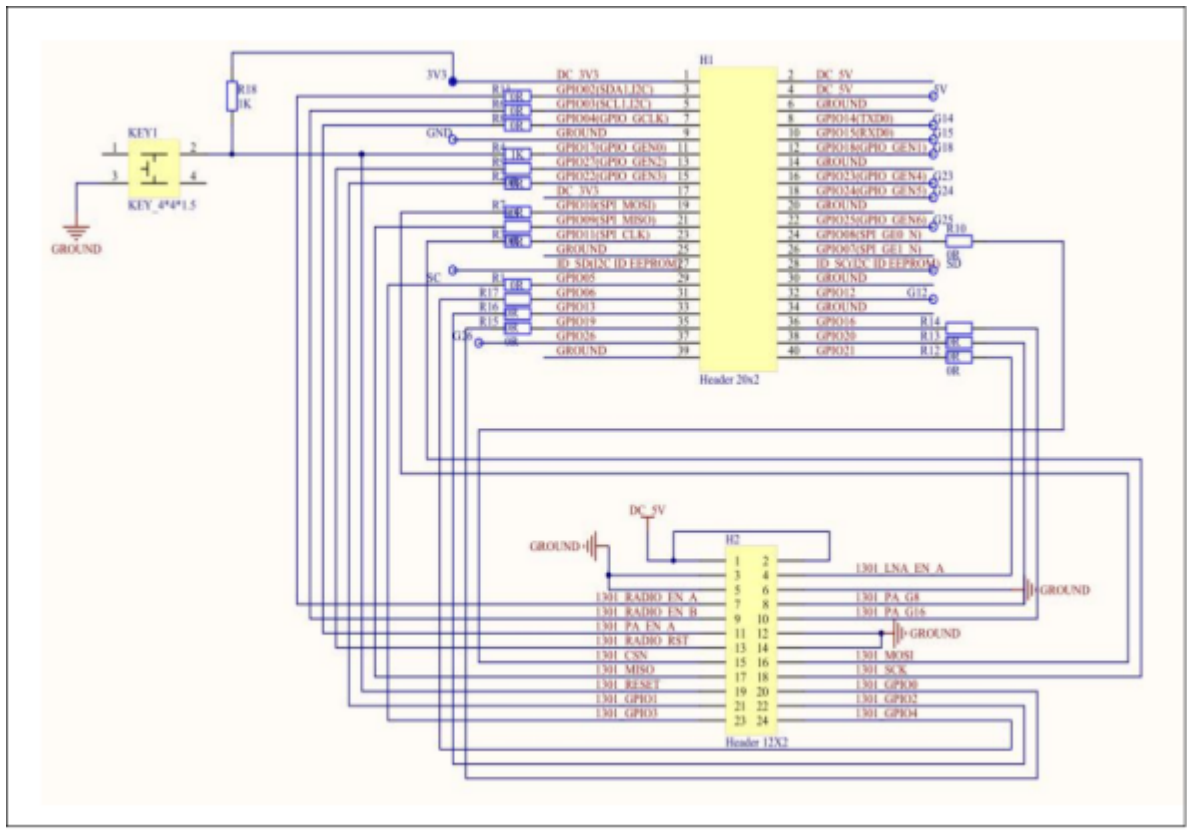


#### 1、SX1301 模块管脚和树莓派管脚对照表

树莓派管脚列表		树莓派 ADPin 引脚对照表		SX1301 管脚列表	
树莓派	ADPin	BOARD pin	模块名	SX1301	DC/5V
3.3V	1	2	5V	PS1P2	DC_5V
GPIO 4	3	4	5V		
GPIO 17	5	6	5V	PP2505V22P14	250
GPIO 7	7	8	5V		
GPIO 9	9	10	5V		
GPIO 10	11	12	GPIO 1	PP2505V22P14	250
GPIO 12	13	14	GPIO 2	PP2505V22P14	250
GPIO 13	15	16	GPIO 4		
3.3V	17	18	GPIO 5	PP2505V22P14	250
MOSI	19	20	GPIO 6		
MISO	21	22	GPIO 8		
SCLK	23	24	CE0	1301_CS	P15
GPIO 25	25	26	CE1		
GPIO 27	27	28	GPIO 15		
GPIO 29	29	30	GPIO 26	PP2505V22P14	250
GPIO 30	31	32	GPIO 25		
GPIO 31	33	34	GPIO 24	PP2505V22P14	250
GPIO 32	35	36	GPIO 27	P19	1301_PA_G1E
GPIO 33	37	38	GPIO 28	P8	1301_PA_G1E
GPIO 35	39	40	GPIO 29	P4	1301_LB_TX_A
GPIO 37					
GPIO 38					
GPIO 39					
GPIO 40					

#### 2、管脚对应位置







## Converter Board (Raspberry )

With Max-7Q GPS Module and GPS Antenna

- <https://hackaday.io/project/20482-designing-a-raspberry-pi-hat>

RAK 831 Pin	Description on silk screen	RPI physical pin
1	+5V	2
3	GND	6
19	RST (Resent pin)	22
18	SCK (SPI Clock)	23
17	MISO	21
16	MOSI	19
15	CSN (Chip Select)	24

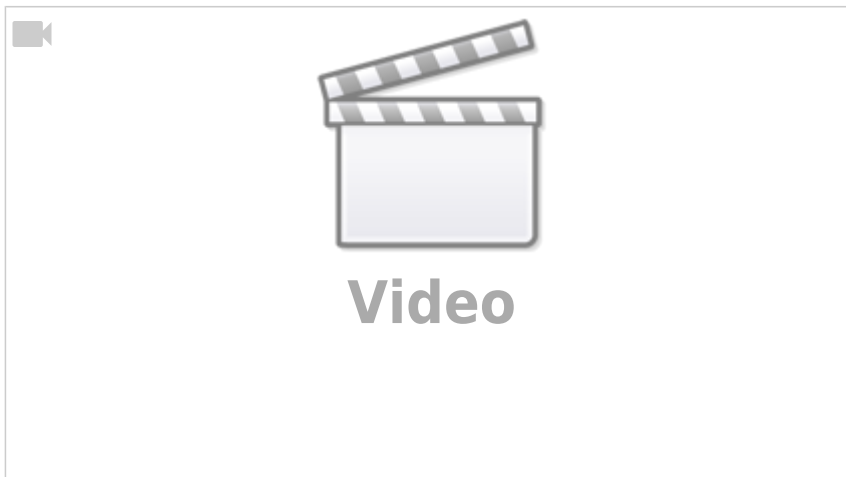
## Conexión a la raspberry pi

rpi v3 to rak 831 pin connection

- <http://docs.rakwireless.com/cn/LoRa/RAK831-LoRa-Gateway/B应用笔记/转接板接线说明.pdf>
- <https://github.com/IRNAS/RPi-HAT-RAK831-PoE>
- **Antena** → <https://github.com/IRNAS/ttn-irnas-gw>

## Referentes

- <https://github.com/RAKWireless/RAK2245-RAK831-LoRaGateway-RPi-Raspbian-OS>
- <https://www.thethingsnetwork.org/forum/t/the-hard-rak831-cafe-part-1/8464>
- <https://github.com/Edzelf/RAK831-LoRa-gateway/blob/master/LoRa%20gateway%20with%20Orange%20Pi%20and%20RAK831.pdf>
- [https://github.com/xesscorp/RPi\\_Hat\\_Template](https://github.com/xesscorp/RPi_Hat_Template)





From:  
<https://wiki.unloquer.org/> -

Permanent link:  
[https://wiki.unloquer.org/personas/brolin/proyectos/redes\\_lpwa/gateways/rak831?rev=1558114921](https://wiki.unloquer.org/personas/brolin/proyectos/redes_lpwa/gateways/rak831?rev=1558114921)

Last update: **2019/05/17 17:42**

