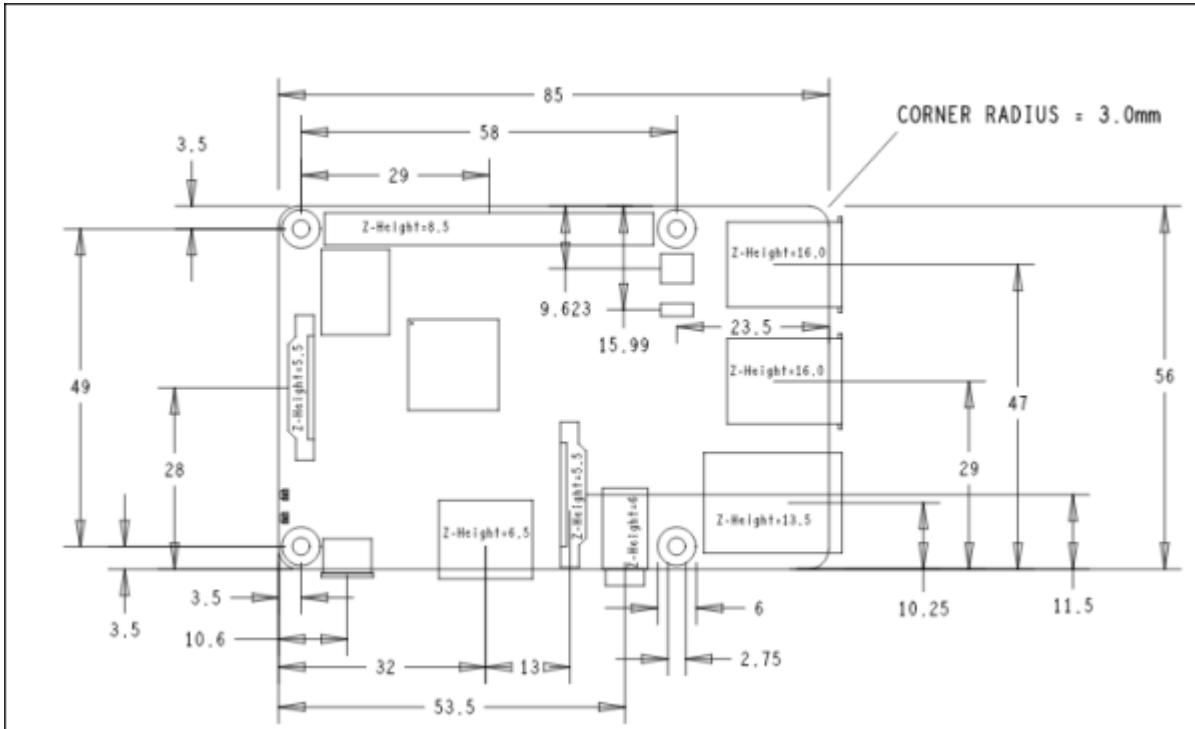


Gateway RAK831

Shield para conexión a Raspberry y GPS

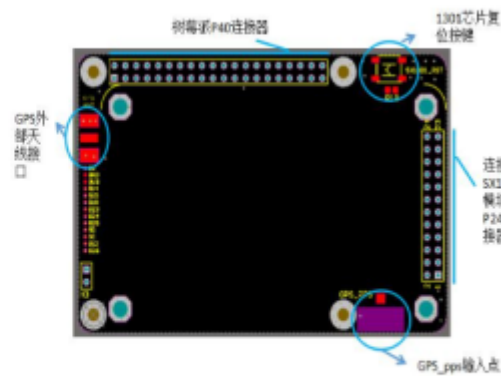
Medidas de raspberry pi 3 b+

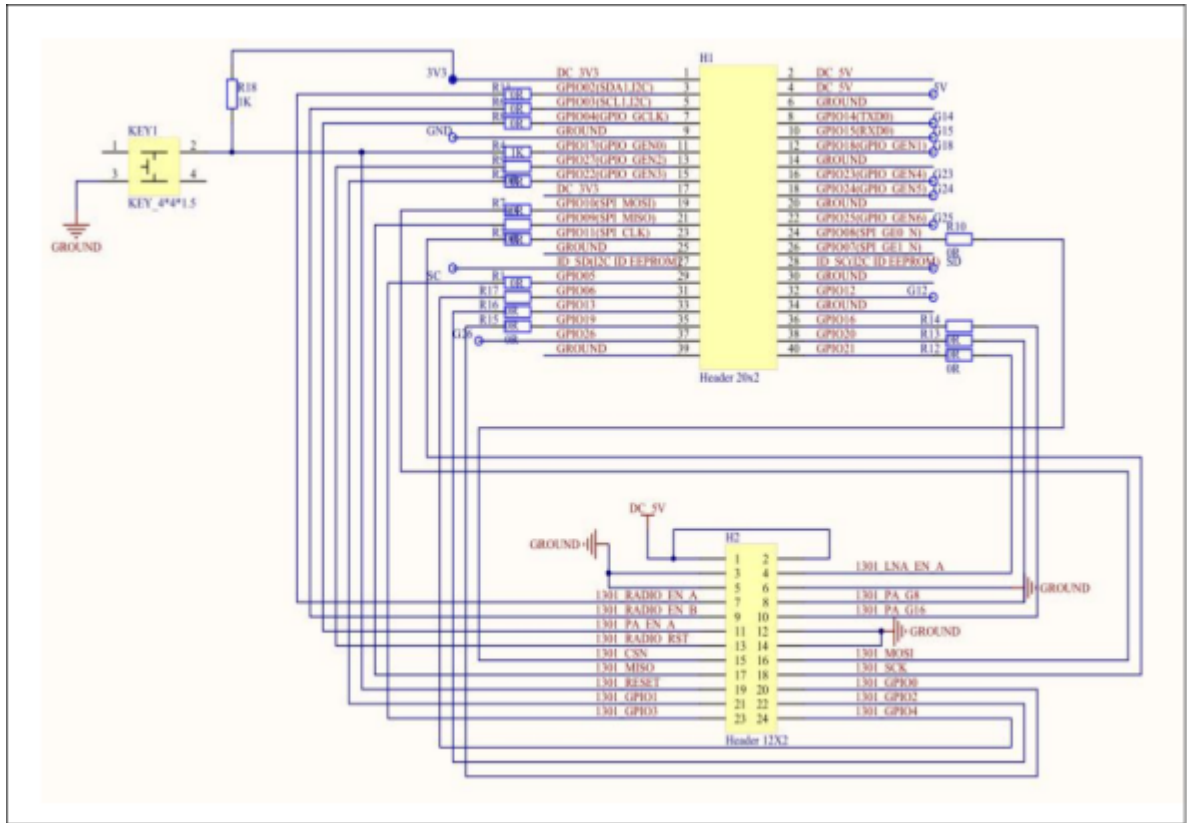


1、SX1301 模块管脚和树莓派管脚对照表

树莓派管脚列表		树莓派 ADP Pin 引脚对照表		SX1301 管脚列表	
引脚名称	BOARD Pin	引脚名称	BOARD Pin	引脚名称	DC, SW
3.3V	1	3.3V	1	PS1/P2	DC, SW
GPIO 4	2	GPIO 1	2		
GPIO 17	3	GPIO 17	3		
GPIO 7	4	GPIO 7	4		
GPIO 27	5	GPIO 27	5		
GPIO 22	6	GPIO 22	6		
GPIO 10	7	GPIO 10	7		
GPIO 16	8	GPIO 16	8		
GPIO 26	9	GPIO 26	9		
GPIO 9	10	GPIO 9	10		
GPIO 23	11	GPIO 23	11		
GPIO 8	12	GPIO 8	12		
GPIO 24	13	GPIO 24	13		
GPIO 1	14	GPIO 1	14		
GPIO 15	15	GPIO 15	15		
3.3V	16	3.3V	16		
GPIO 25	17	GPIO 25	17		
GPIO 21	18	GPIO 21	18		
GPIO 20	19	GPIO 20	19		
GPIO 2	20	GPIO 2	20		
GPIO 4	21	GPIO 4	21		
GPIO 14	22	GPIO 14	22		
GPIO 18	23	GPIO 18	23		
GPIO 28	24	GPIO 28	24		
GPIO 29	25	GPIO 29	25		
GPIO 2	26	GPIO 2	26		
GPIO 3	27	GPIO 3	27		
GPIO 12	28	GPIO 12	28		
GPIO 13	29	GPIO 13	29		
GPIO 19	30	GPIO 19	30		
GPIO 11	31	GPIO 11	31		
GPIO 10	32	GPIO 10	32		
GPIO 23	33	GPIO 23	33		
GPIO 8	34	GPIO 8	34		
GPIO 24	35	GPIO 24	35		
GPIO 26	36	GPIO 26	36		
GPIO 16	37	GPIO 16	37		
GPIO 20	38	GPIO 20	38		
GPIO 9	39	GPIO 9	39		
GPIO 1	40	GPIO 1	40		

2、管脚对应位置







Converter Board (Raspberry)

With Max-7Q GPS Module and GPS Antenna

- <https://hackaday.io/project/20482-designing-a-raspberry-pi-hat>

RAK 831 Pin	Description on silk screen	RPi physical pin
1	+5V	2
3	GND	6
19	RST (Resent pin)	22
18	SCK (SPI Clock)	23
17	MISO	21
16	MOSI	19
15	CSN (Chip Select)	24

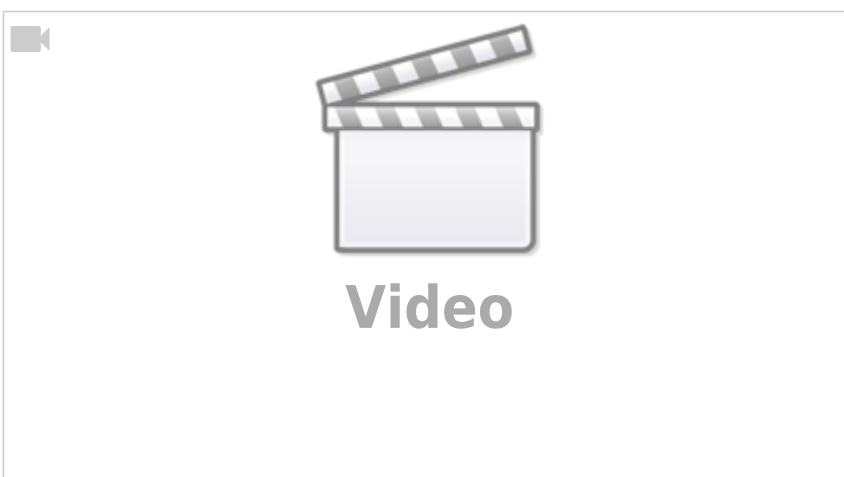
Conexión a la raspberry pi

rpi v3 to rak 831 pin connection

- <http://docs.rakwireless.com/cn/LoRa/RAK831-LoRa-Gateway/B应用笔记/转接板接线说明.pdf>
- <https://github.com/IRNAS/RPi-HAT-RAK831-PoE>
- **Antena** → <https://github.com/IRNAS/ttn-irnas-gw>

Referentes

- <https://github.com/RAKWireless/RAK2245-RAK831-LoRaGateway-RPi-Raspbian-OS>
- <https://www.thethingsnetwork.org/forum/t/the-hard-rak831-cafe-part-1/8464>
- <https://github.com/Edzelf/RAK831-LoRa-gateway/blob/master/LoRa%20gateway%20with%20Orange%20Pi%20and%20RAK831.pdf>
- https://github.com/xesscorp/RPi_Hat_Template
- http://docs.rakwireless.com/en/LoRa/RAK831-LoRa-Gateway/Hardware-Specification/Raspberry%20Pi%20Switchboard%20Schematic_20171218.pdf
- https://www.quectel.com/UploadImage/Downlad/L80_Hardware_Design_V1.1.pdf





From:
<https://wiki.unloquer.org/> -

Permanent link:
https://wiki.unloquer.org/personas/brolin/proyectos/redes_lpwa/gateways/rak831?rev=1558117479

Last update: **2019/05/17 18:24**

