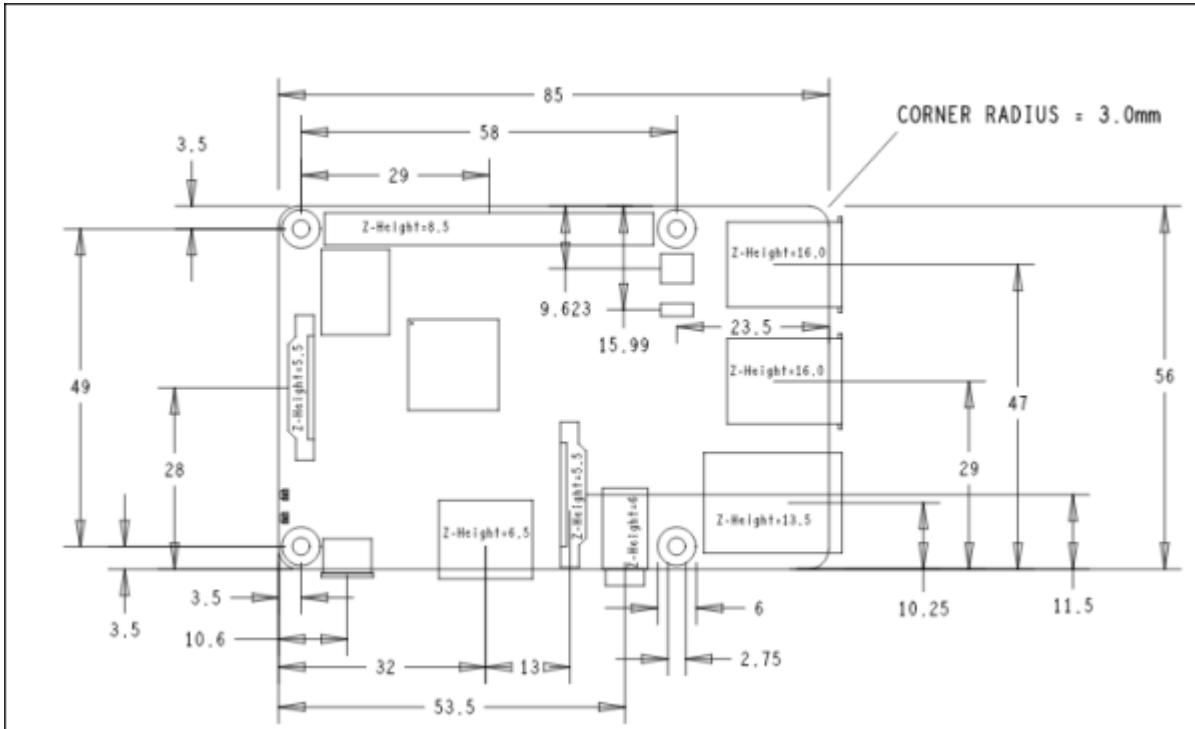


Gateway RAK831

Shield para conexión a Raspberry y GPS

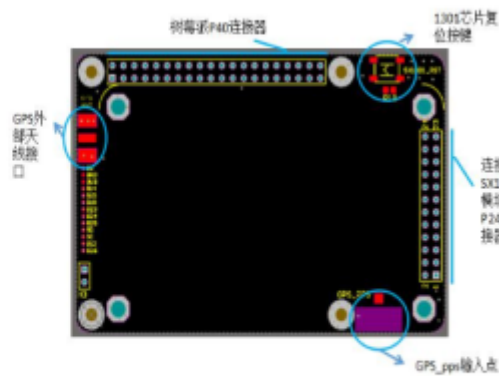
Medidas de raspberry pi 3 b+



1、SX1301 模块管脚和树莓派管脚对照表

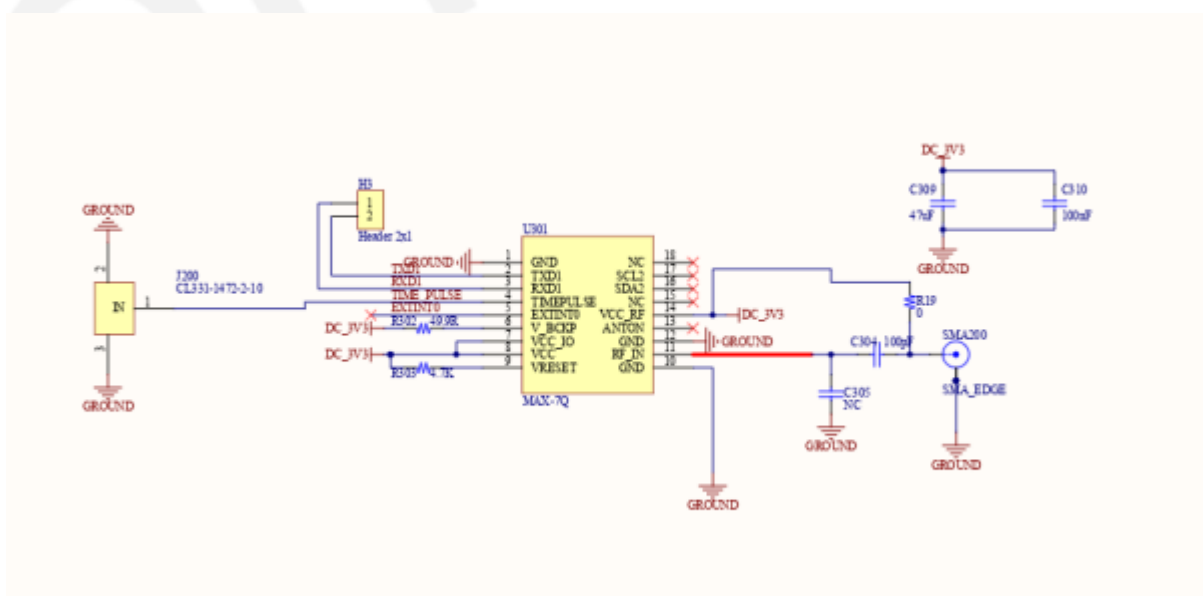
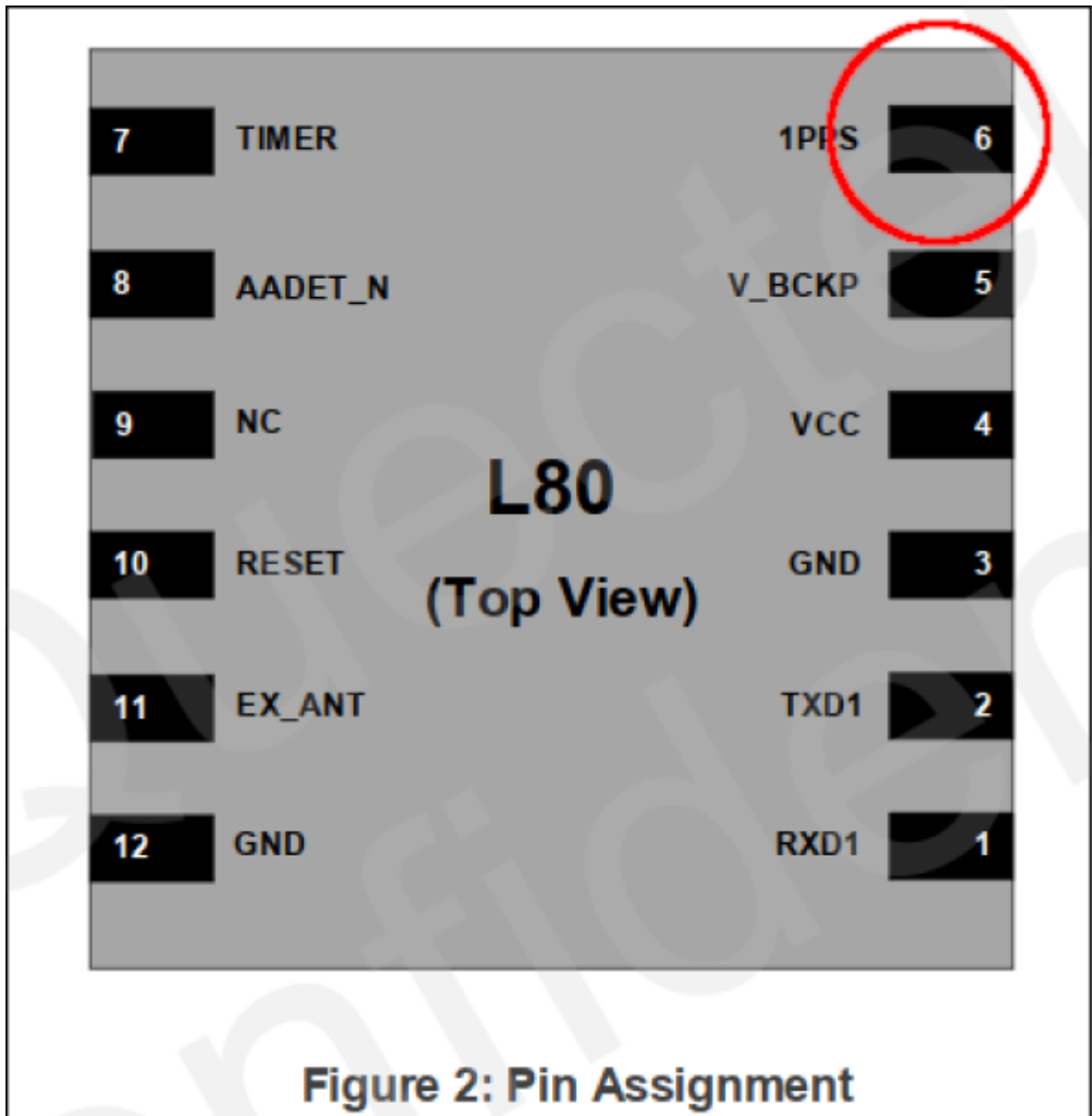
树莓派管脚列表		树莓派 ADPin 引脚对照表		SX1301 管脚列表	
引脚名称	BOARD PIN	引脚名称	BOARD PIN	引脚名称	DC, SW
3.3V	1	3.3V	1	PS1P2	DC, SW
GPIO 0	2	GPIO 0	2		
GPIO 1	3	GPIO 1	3		
GPIO 2	4	GPIO 2	4		
GPIO 3	5	GPIO 3	5		
GPIO 4	6	GPIO 4	6		
GPIO 5	7	GPIO 5	7		
GPIO 6	8	GPIO 6	8		
GPIO 7	9	GPIO 7	9		
GPIO 8	10	GPIO 8	10		
GPIO 9	11	GPIO 9	11		
GPIO 10	12	GPIO 10	12		
GPIO 11	13	GPIO 11	13		
GPIO 12	14	GPIO 12	14		
GPIO 13	15	GPIO 13	15		
GPIO 14	16	GPIO 14	16		
GPIO 15	17	GPIO 15	17		
GPIO 16	18	GPIO 16	18		
GPIO 17	19	GPIO 17	19		
GPIO 18	20	GPIO 18	20		
GPIO 19	21	GPIO 19	21		
GPIO 20	22	GPIO 20	22		
GPIO 21	23	GPIO 21	23		
GPIO 22	24	GPIO 22	24		
GPIO 23	25	GPIO 23	25		
GPIO 24	26	GPIO 24	26		
GPIO 25	27	GPIO 25	27		
GPIO 26	28	GPIO 26	28		
GPIO 27	29	GPIO 27	29		
GPIO 28	30	GPIO 28	30		
GPIO 29	31	GPIO 29	31		
GPIO 30	32	GPIO 30	32		
GPIO 31	33	GPIO 31	33		
GPIO 32	34	GPIO 32	34		
GPIO 33	35	GPIO 33	35		
GPIO 34	36	GPIO 34	36		
GPIO 35	37	GPIO 35	37		
GPIO 36	38	GPIO 36	38		
GPIO 37	39	GPIO 37	39		
GPIO 38	40	GPIO 38	40		

2、管脚对应位置





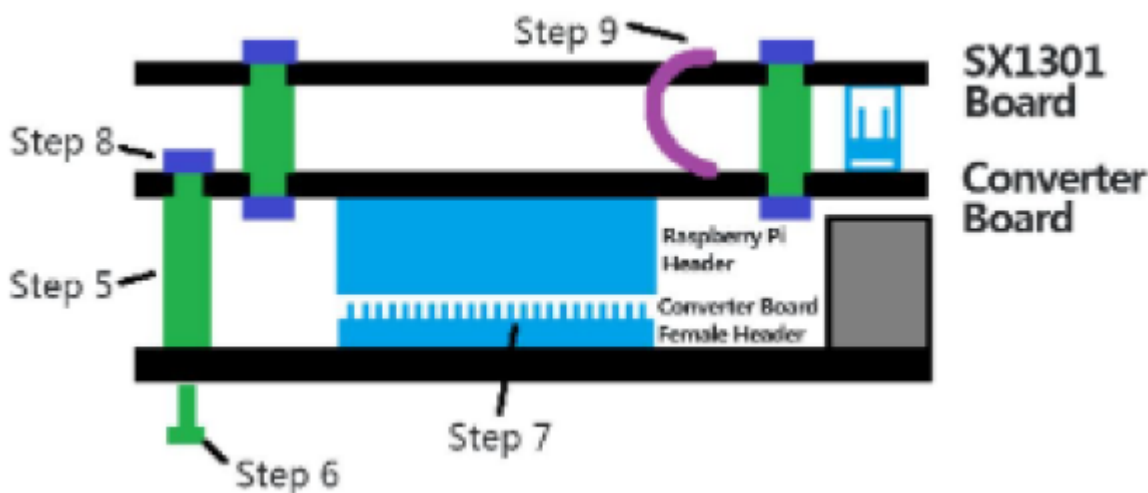
Pin PPS Quectel I80





Converter Board (Raspberry)

With Max-7Q GPS Module and GPS Antenna



- <https://hackaday.io/project/20482-designing-a-raspberry-pi-hat>

RAK 831 Pin	Description on silk screen	RPI physical pin
1	+5V	2
3	GND	6
19	RST (Resent pin)	22
18	SCK (SPI Clock)	23
17	MISO	21
16	MOSI	19
15	CSN (Chip Select)	24

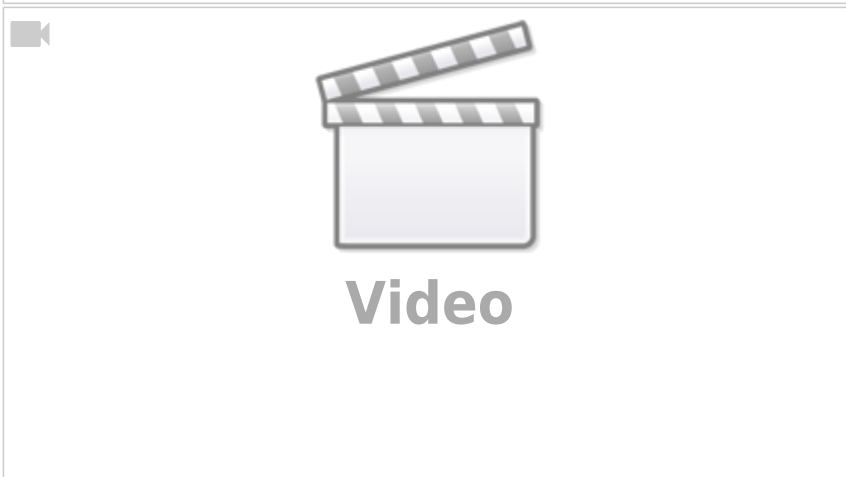
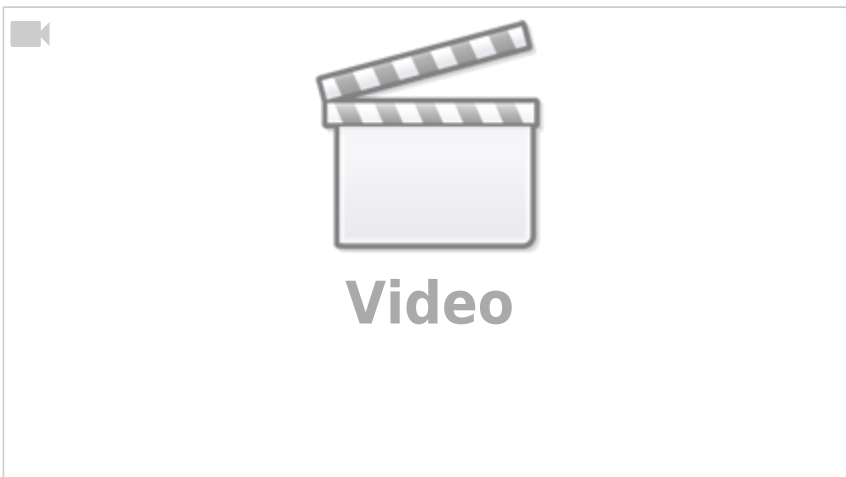
Conexión a la raspberry pi

rpi v3 to rak 831 pin connection

- <http://docs.rakwireless.com/cn/LoRa/RAK831-LoRa-Gateway/B应用笔记/转接板接线说明.pdf>
- <https://github.com/IRNAS/RPi-HAT-RAK831-PoE>
- **Antena** → <https://github.com/IRNAS/ttn-irnas-gw>

Referentes

- <https://github.com/RAKWireless/RAK2245-RAK831-LoRaGateway-RPi-Raspbian-OS>
- <https://www.thethingsnetwork.org/forum/t/the-hard-rak831-cafe-part-1/8464>
- <https://github.com/Edzelf/RAK831-LoRa-gateway/blob/master/LoRa%20gateway%20with%20Orange%20Pi%20and%20RAK831.pdf>
- https://github.com/xesscorp/RPi_Hat_Template
- http://docs.rakwireless.com/en/LoRa/RAK831-LoRa-Gateway/Hardware-Specification/Raspberry%20Pi%20Switchboard%20Schematic_20171218.pdf
- https://www.quectel.com/UploadImage/Downlad/L80_Hardware_Design_V1.1.pdf
- <http://mtnstormdaq.com/blog/2012/10/gps-pps-use-as-a-time-reference/>
- <http://docs.rakwireless.com/en/LoRa/RAK831-LoRa-Gateway/Application-Notes/Interface-Panel-Installation-Instructions.pdf>



From:
<https://wiki.unloquer.org/> -

Permanent link:
https://wiki.unloquer.org/personas/brolin/proyectos/redes_lpwa/gateways/rak831?rev=1558308263

Last update: **2019/05/19 23:24**

