

# Soil Moisture

<http://www.ohmslawcalculator.com/555-astable-calculator>

<https://github.com/acolomitchi/cap-soil-moisture-v2/blob/master/square1-planecap/print/square1-planecap-inkscp.svg>

<http://www.instructables.com/id/Automatic-Watering-System-With-Capacitive-Probe-an/>

<https://electronics.stackexchange.com/questions/184845/how-do-you-measure-soil-moisture-using-a-capacitive-sensor>

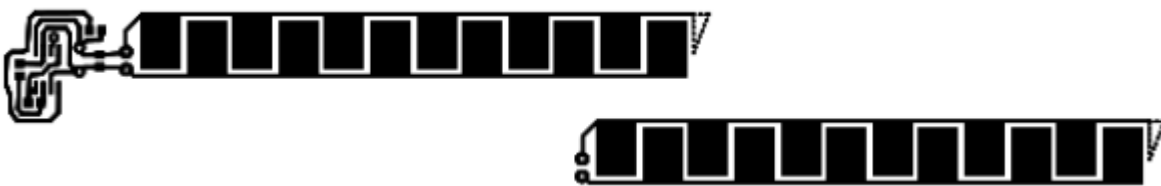
<https://zerocharactersleft.blogspot.com.co/2011/11/pcb-as-capacitive-soil-moisture-sensor.html>

<https://github.com/Miceuz/PlantWateringAlarm>

<https://www.facebook.com/Plastidip-de-Colombia-802958523088359/?nr>

[https://articulo.mercadolibre.com.co/MCO-455777033-plasti-dip-tangerine-orange-plastidip-performix-brand-\\_JM](https://articulo.mercadolibre.com.co/MCO-455777033-plasti-dip-tangerine-orange-plastidip-performix-brand-_JM)

## Diseño sensor

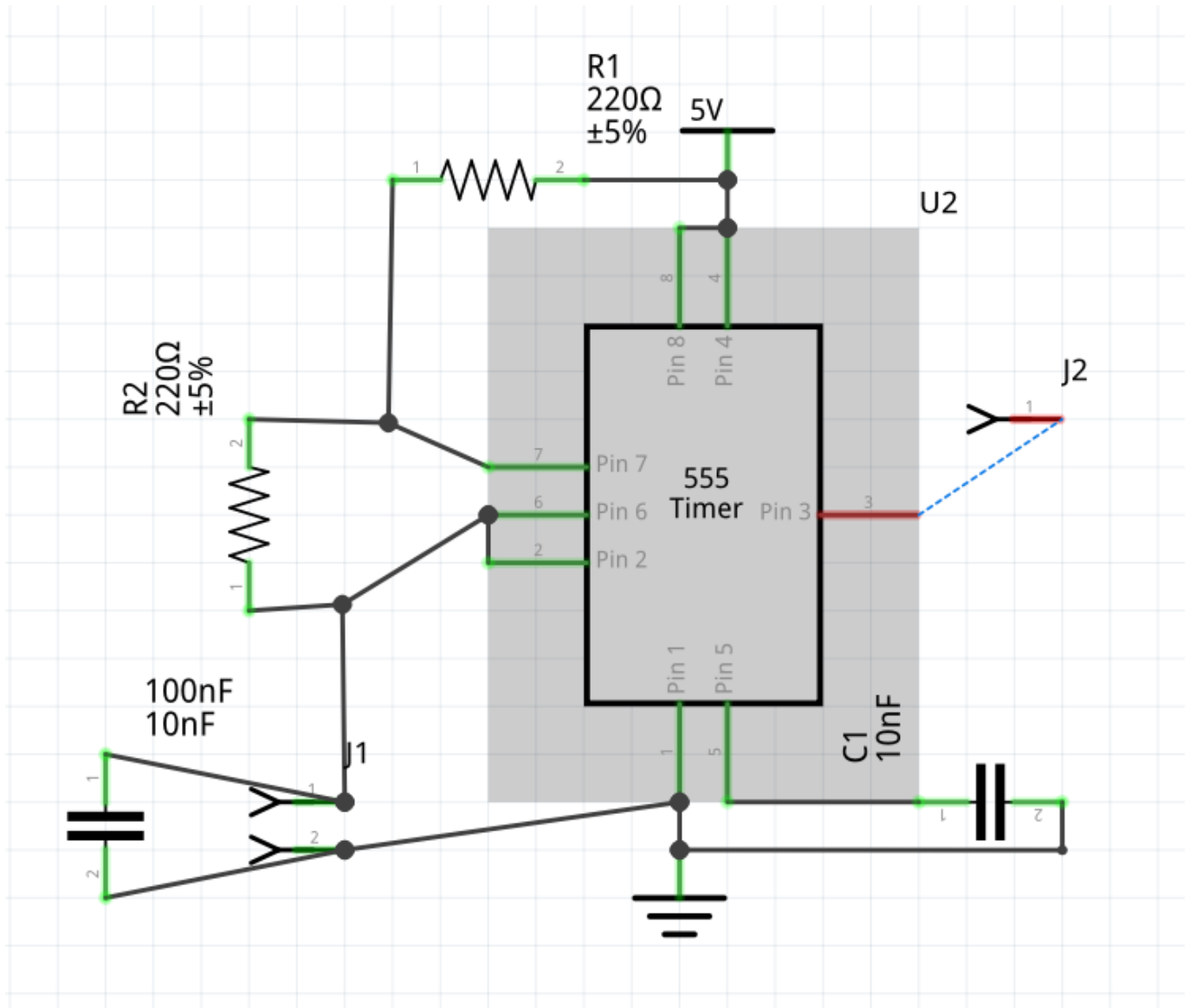


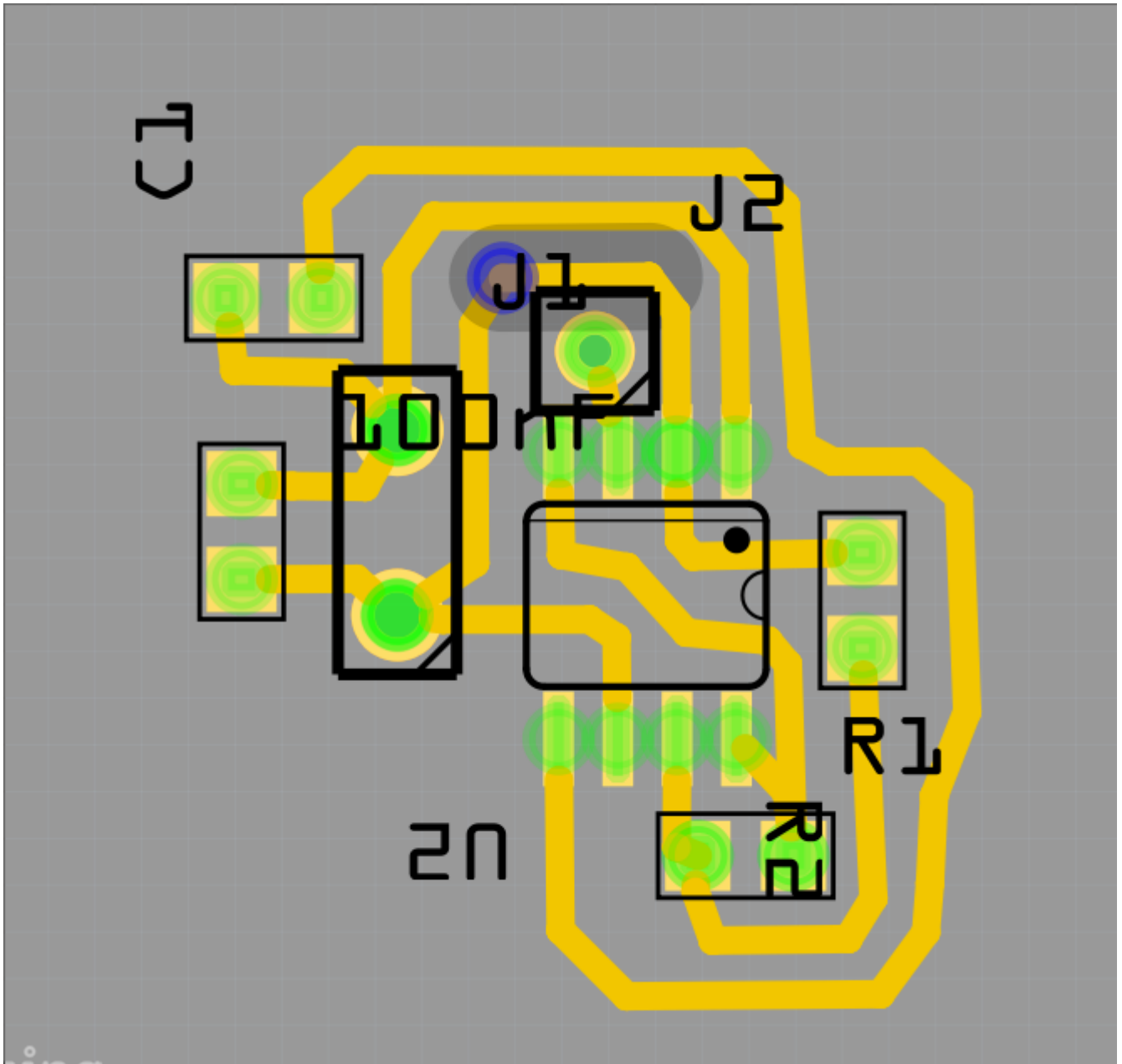
capsensor.pdf

## thinger io plataforma para sensado y monitoreo de riego

<https://thinger.io/portfolio/plant-water-monitor/>

## Modificación sensor capacitivo basado en drawdio





From:  
<https://wiki.unloquer.org/> -

Permanent link:  
[https://wiki.unloquer.org/proyectos/talleres\\_esp/soilmoisture](https://wiki.unloquer.org/proyectos/talleres_esp/soilmoisture)

Last update: 2018/11/21 17:59

